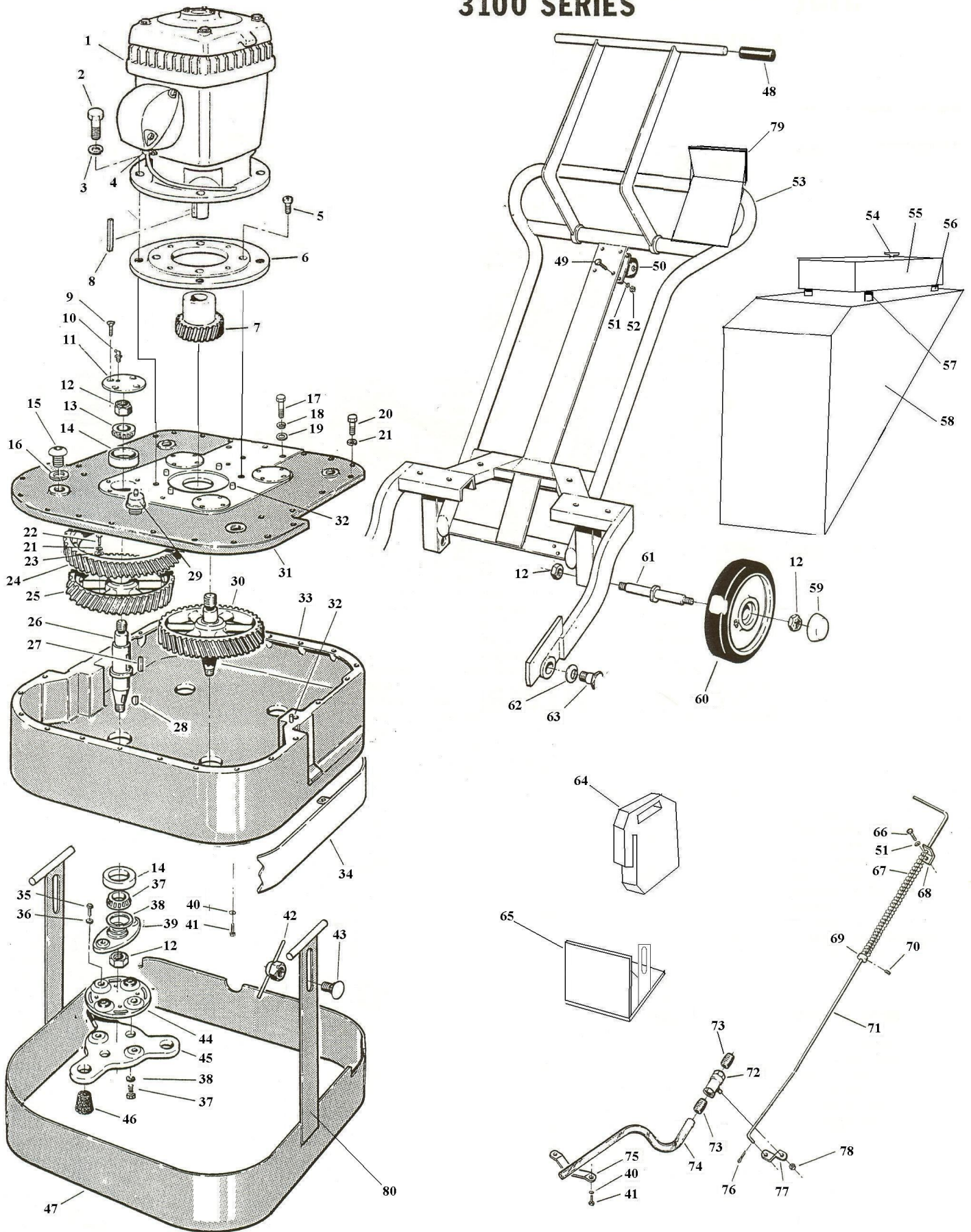
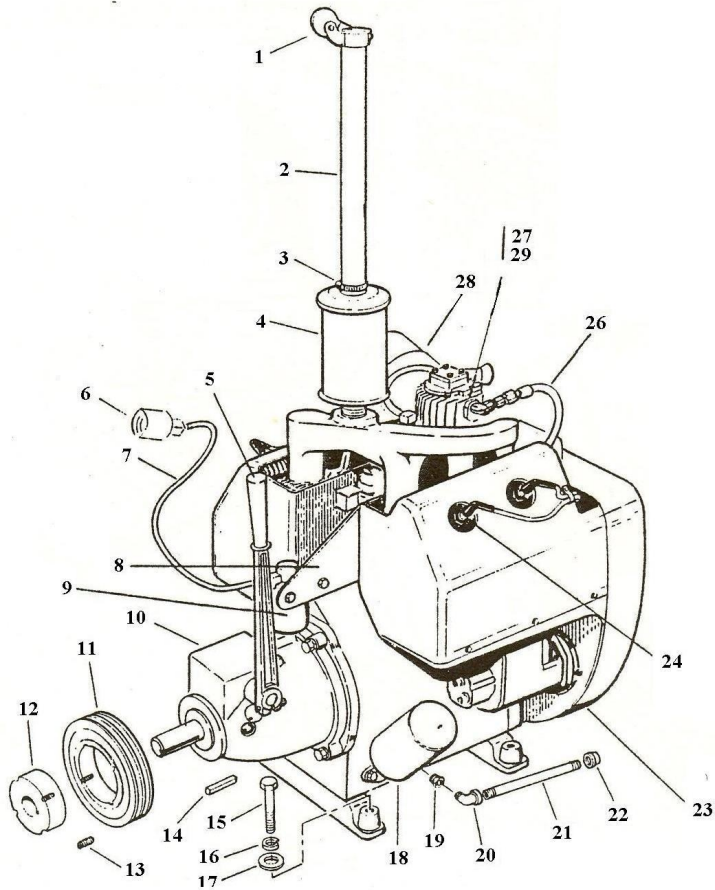


# GEAR BOX & HANDLE ASSEMBLY 3100 SERIES

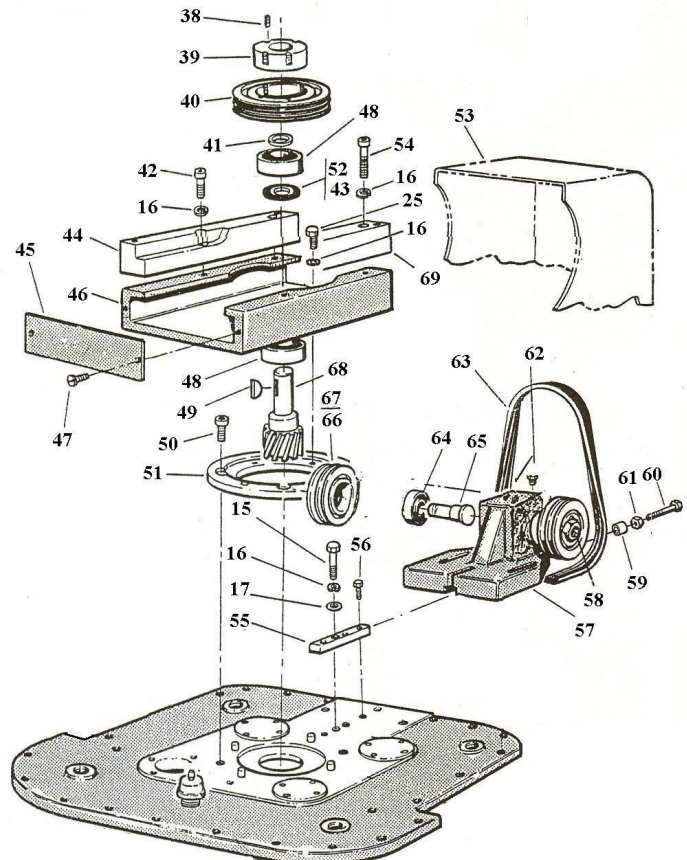
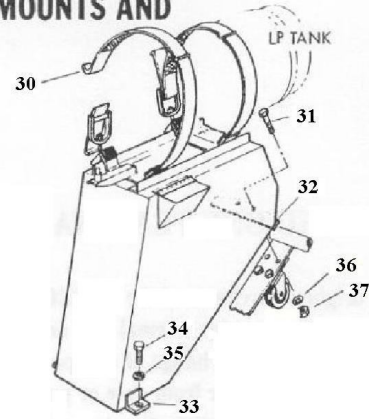


Ref. #	Part #	Description	Qty	Ref. #	Part #	Description	Qty
1	FE146	25 HP Motor (Electric)	1	49	2038	Capscrew	4
	FE165	LP Motor	1	50	HB88A	Caster Wheel	1
2	2142	Capscrew	4	51	1030	1/4" Lockwasher	15
3	2140	Lockwasher	8	52	2003	1/4" Nut	8
4	X85	Cord Connector	2	53	FEN1B	Handle Assembly	1
5	2111	Mounting Ring Bolts	4	54	LW76	Emergency Stop	1
6	FE130HS	Motor Mounting Plate	1	55	FE142-230	Starter 230 V	1
7	FE5B	Pinion	1		FE142-460	Starter 460 V	
8	FE114	Motor Key	1	56	X84	Bracket	4
9	3011	Machine Screw	16	57	FE251	Rubber Mount	4
10	2118	Grease Fitting	4	58	FE32B	Water Tank	1
11	FE27	Bearing Cap	4	59	DS5	Wheel Cap	2
12	2008	Lock Nut	12	60	DS7	Wheel Assembly	2
13	SM43	Bearing Cone	4	61	FE20B	Wheel Shaft	2
14	SM37	Bearing Cup	8	62	FD90	Spring Washer	2
15	2139	Capscrew	4	63	FE32B	Pivot Bolt	2
16	2140	Lockwasher	8	64	FE246	Pocket Weight - 42lb.	4
17	FE101	Capscrew	7	65	FE247R	Lower Weight Basket	1
18	SM255	Lock Washer	12		FE247L	Lower Weight Basket	1
19	2027	Washer	7	66	2018	Capscrew	3
20	1025	Capscrew	20	67	SM182	Spring	1
21	1022	Lockwasher	36	68	FD43	Guide Bracket	1
22	2099	Capscrew	16	69	SM186	Spacer	1
23	HB25	Washer	16	70	2082	Set Screw	1
24	FE125B	Drive Gear (electric)	2	71	FE78	Water Tank Rod	1
	FE6	Drive Gear (LP)	2	72	SM174	Water Valve	1
25	FE4B	Driven Gear RH	2	73	FE189	Valve Stem	2
26	SM16	Gear Shaft	4	74	FS39	Water Hose	
27	SM72	Gear Key	4	75	SM172	Hose Bracket Clamp	1
28	2012	Key	4	76	2082	Cotter Pin	1
29	FEN17	Grease Vent Assy	1	77	FE79	Water Valve Lever	1
30	SM15	Driven Gear LH	2	78	2101	Lock Nut	2
31	FE2F	Gear Case Cover	1	79	FE248	Upper Weight Basket	2
32	FD40	Dowel Pin	6	80	FE29	Guard Straps	
33	FE1C	Gear Case	1			<b>Parts Not Pictured</b>	
34	FE21	Stationary Guard	1		SM448	Battery Box (LP only)	1
35	SM171	Capscrew	16		SM432	Battery (LP only)	1
36	2027	Lock Washer	16		FE207	Vacuum Hose	12'
37	SM36	Bearing Cone	4		SM424	50 Amp Male Plug	1
38	SM169	Grease Seal	4		SM 425	50 Amp Connector	1
39	SM500	Driving Spider	4		FE262	Rubber Dust Seal	1
40	1007	Lockwasher	14		LW78	Brush Strip	2
41	1033	Capscrew	16		FE141	4-4 Cable, feet-230 V	100
42	FEN9	Splash Guard Lock Nut	2		DS134	6-4 Cable, feet-460 V	100
43	FE153	Splash Guard Bolt	2		FE266	Vacuum Pipes	2
44	SM88	Morflex Coupling	4		SM489	60 Amp Plug	1
45	SM192B	Stone Spider Plug	4		SM490	60 Amp Plug	1
46	FR594	Plug Stone	12				
47	FEN010	Movable Splash Guard	1				
48	SM57	Handle Grips	2				

# 3100 SERIES LP GAS



## LP MOUNTS AND



Ref. #	Part #	Description	Qty	Ref. #	Part #	Description	Qty
1	FE180	Weather Cap	1	48	FD115	Bearing	2
2	FE179	Exhaust Pipe	1	49	1008	Key	1
3	FE185	Muffler Clamp	1	50	2111	Mounting Ring Bolts	4
4	FE118	Muffler	1	51	FE51C	Mounting Ring	1
5	T5014	Clutch Handle	1	52	FD122	Felt Washer	1
6	FE173A	LP Fitting	1	53	FD72B	Belt Guard	1
7	FE173	Hose Assembly	1	54	2135	Capscrew	2
8	FE169	LP Filter Bracket	1	55	FD100	Key	1
9	T4047	LP Filter - Complete	1	56	2081	Capscrew	3
	T4042	LP Filter - Element Only	1	57	FE211	Idler Bracket	1
10	FE154A	Clutch	1	58	2008	Lock Nut	2
11	FD131	Engine Sheave	1	59	RT17	Spacer	1
12	FD132	Bushing	1	60	FE88	Idler Adjusting Screw	1
13	FE100	Set Screw	4	61	2101	Locking Nut	2
14	FE193	Clutch Key	1	62	T3021	Set Screw	2
15	FE101	Capscrew	7	63	FE145	Belt	1
16	SM255	Lock Washer	12	64	FE215	Bearing	2
17	2027	Washer	7	65	FE213	Idler Shaft	1
18	T4017	Oil Filter	1	66	FD129A	Sheave	2
19	FE159	Pipe Bushing	1	67	FE216	Snap Ring	2
20	FE160	Street Elbow	1	68	FE66C	Pinion RH	1
21	FE161	Pipe Nipple	1	69	FE156	Riser Block RH	1
22	FE162	1/4" Pipe Cap	1				
23	FE165	30 HP LP Gas Engine	1				
24	T4052	Spark Plug	4				
25	2138	Capscrew	4				
26	FE174	Hose Assembly	1				
27	T4048	Carburetor	1				
28	FEN22	Air Filter Assembly - Complete	1				
	FE228	Air Filter Element Only	1				
29	T4046	Vaporizer, Regulator, Converter	1				
30	FEN14A	LP Tank Brackets & Base Assembly	1				
31	2038	Capscrew	4				
32	FE74	Water Tank Brace	1				
33	FE133A	Water Tank Bracket	2				
34	1006	Capscrew	2				
35	1007	Lock Washer	2				
36	1030	1/4" Lock Washer	2				
37	2003	1/4" Nut	2				
38	FE100	Set Screw	4				
39	FD133	Taper Lock Bushing	1				
40	FE52	Sheave	1				
41	FD77	Pulley Spacer	1				
42	2136	Capscrew	2				
43	FD78	Bearing Spacer	1				
44	FE157	Riser Block LH	1				
45	FE89A	Engine Base Cover	1				
46	FD76C	Engine Mounting Base	1				
47	AH17	Machine Screw	2				